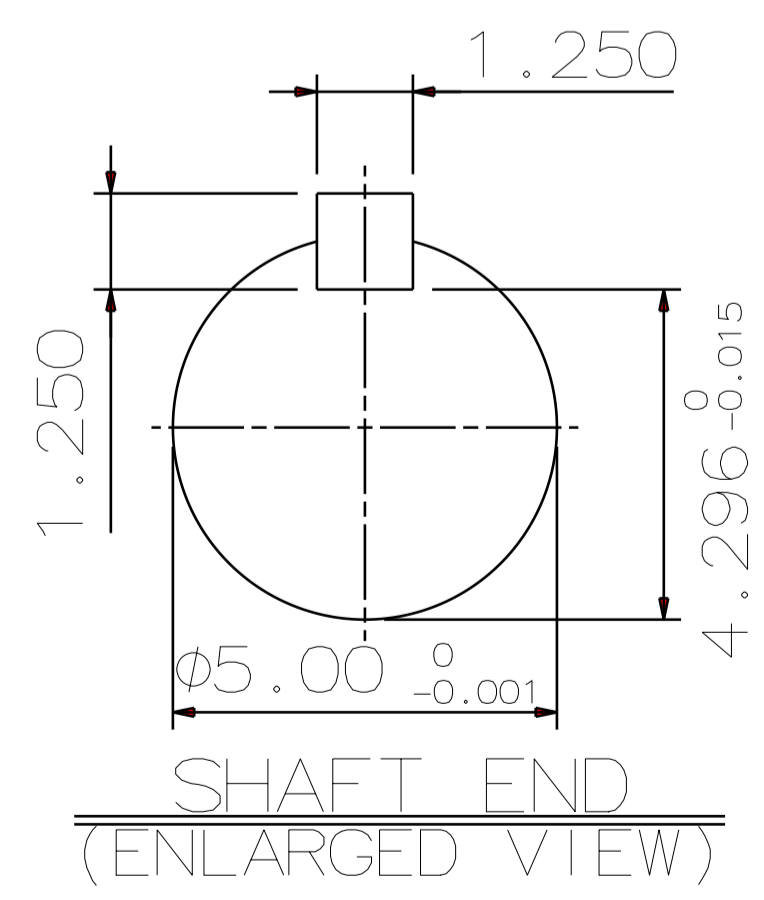
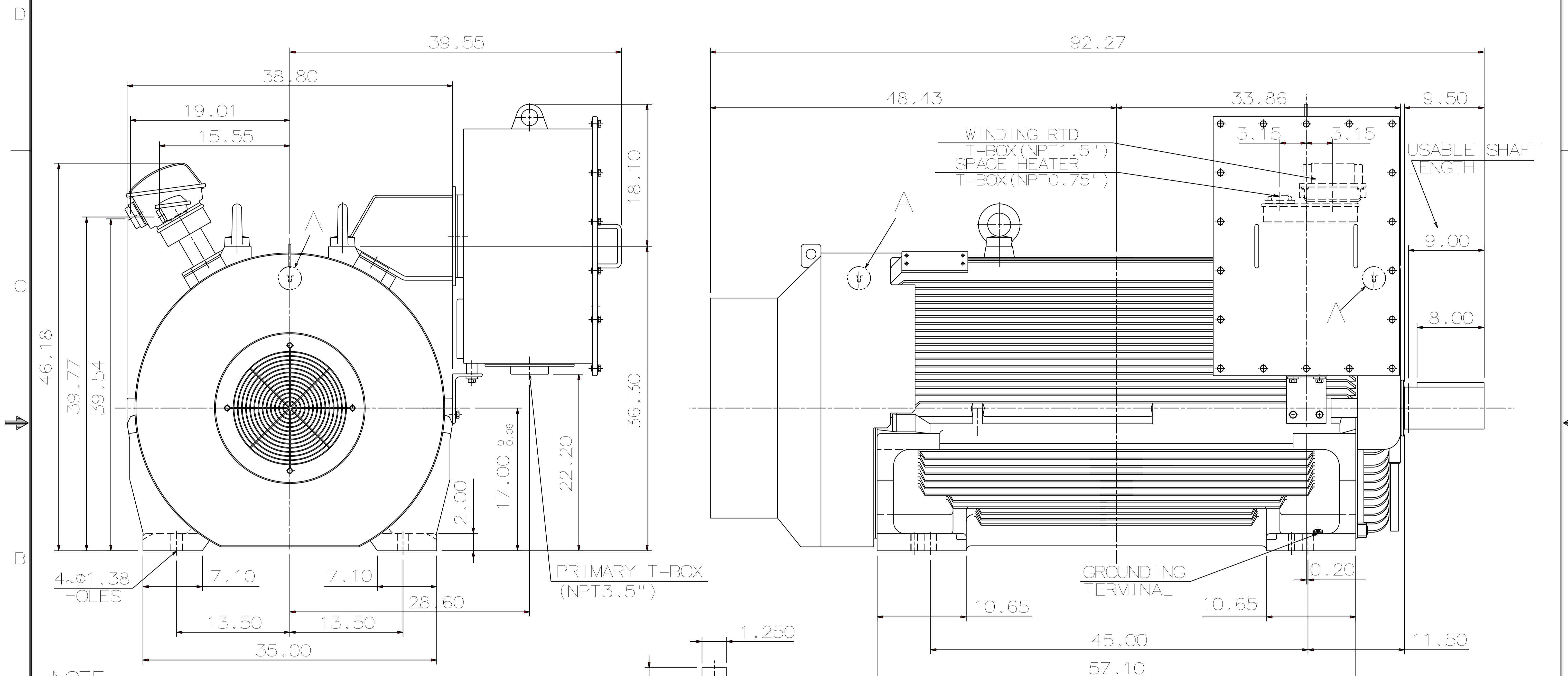


DETAIL A

PROVISION FOR VIBRATION DETECTORS

TYPE	OUTPUT		POLE	TIME RATING	VOLTAGE V	Hz	SYN. SPEED R.P.M
	HP.	kW.					
AFHGK	1500	1119	4	CONT.	2300/4000	60	1800

TOTALLY ENCLOSED FAN-COOLED TYPE. SQUIRREL-CAGE ROTOR.



SHAFT END (ENLARGED VIEW)

- NOTE:
- DIMENSIONS IN inch
 - FRAME NO. 6810B
 - F CLASS INSULATION, S.F. 1.15
 - FOR DIRECT FLEXIBLE COUPLING
 - ENCLOSURE: IP55
 - BEARING SIZE: DRIVE-END 6326C3
OPP. DRIVE-END 6322C3
 - WITH WINDING RTD: PT 100Ω/0°C 6PCS
 - WITH SPACE HEATER: 1φ 120V
 - PROVISION FOR BEARING RTD MOUNTING:
2~PT1/2" TAPS PER BRACKET
 - CLASS I, DIV. 2, GROUP B,C&D, T3 Max
CLASS II, DIV. 2, GROUP F&G T3B

- NON-SPARKING FAN
- CORROSION PROOF
- NOISE: BELOW 88dBA (TOLERANCE 3dBA)
AT 1 METER DISTANCE NO LOAD
- APPROX. WEIGHT: 12200 lb

DATE: November 15, 2017
Catalog No.: KF15004

OUTLINE DIMENSIONS	
3-PHASE INDUCTION MOTOR	
TEC Westinghouse	DWG NO. REV:00 4B040L930